

### English Language

**Directions (1-7):** Read the given passage carefully and answer the questions that follow:

The grave water situation in Cape Town in South Africa is a wake-up call to everybody across the globe — from policymakers to the common man. A similar crisis is looming large in other cities in the world as people continue to be **cautious** in their use of water.

The situation is so worrisome that 12 world leaders — 11 heads of state and a special adviser of a high-level panel on water — wrote an open letter to global leaders a week ago warning that the world is facing a water crisis and issued a New Agenda for Water Action. Observing that we need to make “every drop count”, they called for a new approach: rethinking how we understand, value and manage water as a precious resource, and catalysing change and building partnerships to achieve the water-related goals of the 2030 Agenda for Sustainable Development.

The panel mentioned the need to put in place policies that will allow for at least a doubling of water infrastructure investment in the next five years. It called for governments, communities, the private sector, and researchers to **collaborate**.

In India, a growing population, lack of adequate planning, crumbling infrastructure, indiscriminate drilling of borewells, large-scale consumption of water, and a false sense of entitlement in using water carelessly are causing water shortages. *Unless (A)minimise measures are taken to*

*(B)drastic water usage, the day may not be far off when authorities will be (C)forced to (D)ration water supply in cities like Bengaluru, which has been ranked second in the list of 11 global cities which might face the imminent threat of running out of drinking water. Already, water is being supplied on alternate days in certain cities, and for a limited duration in some places.*

**1. The panel discussed the importance of implementing policies that will produce results in how many years?**

- A. Five years
- B. Four years
- C. Eleven years
- D. Two years
- E. Three years

**2. Who wrote an open letter to global leaders?**

- A. 12 world leaders
- B. 11 heads of state
- C. a special adviser of a high-level panel on water
- D. both A and B
- E. All the above

**3. Which of the following is/are the methods of new approach to conserve water?**

- A. achieve the water-related goals of the 2025 Agenda
- B. value and manage water as a precious resource
- C. build partnerships with developed countries
- D. understand the methods of crumbling infrastructure

E. All the above

**4. What are the causes of water shortages in India?**

- A. a growing population
- B. crumbling infrastructure
- C. indiscriminate drilling of borewells,
- D. a false sense of entitlement in using water carelessly
- E. All the above

**5. Which city ranked second in the list of 11 global cities which might soon face the shortage of drinking water?**

- A. Hyderabad
- B. Bengaluru
- C. Delhi
- D. Mumbai
- E. Chennai

**6. What is the SYNONYM of the word 'collaborate' used in the given passage?**

- A. Cooperate
- B. Disagree
- C. Refuse
- D. Condemn
- E. None of these

**7. In the given sentence, the highlighted word might be used inappropriately. Choose the most suitable word that fits in the given sentence:**

A similar crisis is looming large in other cities in the world as people continue to be **cautious** in their use of water.

- A. watchful

B. attentive

C. careful

D. reckless

E. None of these

**8. Rearrange the highlighted words to make the sentence meaningful:**

*Unless (A) **minimise** measures are taken to (B) **drastic** water usage, the day may not be far off when authorities will be (C) **forced** to (D) **ration** water supply in cities like Bengaluru.*

- A. Only A-B
- B. Only B-C
- C. Only B-D
- D. Both C-D and A-B
- E. No Improvement

**Directions (9-13): Rearrange the given six statements A, B, C, D, E, and F and answer the questions that follow.**

(A) A primitive bacterium was engulfed by our oldest ancestor - a solo, free-floating cell.

(B) Today, trillions of these bacterial descendants live within our bodies, churning out ATP, the molecular energy source that sustains our cells.

(C) The two fused to form a mutually beneficial relationship that has lasted more than a billion years, with the latter providing a safe, comfortable home and the former becoming a powerhouse, fuelling the processes necessary to maintain life.

(D) Despite being inextricably integrated into the machinery of the human body, mitochondria

also carry remnants of their bacterial past, such as their own set of DNA.

(E) Long before the earliest animals swam through the water-covered surface of Earth's ancient past, one of the most important encounters in the history of life took place.

(F) That's the best hypothesis to date for how the cellular components, or organelles, known as mitochondria came to be.

**9. Which of the following is THIRD sentence of the rearranged paragraph?**

- A. F
- B. D
- C. E
- D. A
- E. C

**10. Which of the following is FIFTH sentence of the rearranged paragraph?**

- A. B
- B. F
- C. E
- D. A
- E. C

**11. Which of the following is FIRST sentence of the rearranged paragraph?**

- A. A
- B. D
- C. F
- D. E
- E. C

**12. Which of the following is LAST sentence of the rearranged paragraph?**

- A. E
- B. D
- C. A
- D. B
- E. F

**13. What is the correct sequence of the given sentences?**

- A. AECFBD
- B. CAEFBD
- C. FCEABD
- D. EACFBD
- E. DCEFBA

**Directions (14-18):** A Sentence is given with four words highlighted in bold which may or may not be in their proper place, you have to interchange them in order to make sentences contextually and meaningfully correct.

**14.** Amid criticism that it did not enforce steps to **banned (a)** the spread of COVID19 during the **vigour (b)** campaign for Assembly elections in four States and one Union Territory with sufficient **protracted(c)**, the Election Commission of India has now **curb (d)** victory processions after the results are declared on May 2.

- A. a-d, b-c
- B. a-b
- C. c-d
- D. a-c, b-d
- E. None of the above

15. Covering an entire State in as few phases as possible will help localise the **potential (a)** for violence, prevent the spread of tension due to the **fatigue (b)** of the campaign, besides reducing the **virulence (c)** of forces **deployed (d)** throughout the campaign, up to the day of counting.

- A. a-d
- B. b-c
- C. c-d
- D. b-a
- E. None of the above

16. The Central government has opened (a) the responsibility of vaccinating people in the 18-44 age groups to the States, and transferred (b) up vaccine providing (c) to market forces, at a time when discussions around the world are about an intellectual property (IP) waiver for COVID-19 vaccines and pricing (d) free vaccines.

- A. a-c, b-d
- B. b-c, a-d
- C. a-b, c-d
- D. d-a
- E. None of the above

17. The important objective in the policy is to **achieve (a)** vaccination but the way in which the new policy is **designed (b)** we may not **accelerate (c)** that, precisely because it **fragments (d)** the market.

- A. b-d
- B. b-c
- C. c-d

- D. a-c
- E. None of the above

18. The International Monetary Fund is likely to **estimates (A)** its global economic growth **lower(B)** due to the new omicron **turmoil (C)** of the coronavirus. , this is yet another sign of the **variant (D)** unleashed by the ever changing pandemic.

- A. A-B & C-D
- B. A-D & B-C
- C. C-D
- D. A-B
- E. No exchange required

**Directions (19-24): In each of the following questions, a sentence has been divided into five parts out of which one part is erroneous. You are required to choose the option which is grammatically or contextually incorrect.**

19. The Madhya Police arrested **(a)/** four people, including **(b)/** a professional Kabaddi player, **(c)/** for their alleged **(d)/** involving in arms trafficking.**(e)**

- A. a
- B. b
- C. c
- D. d
- E. e

20. Describing Lord Buddha as the inspiration **(a)/** for India's Constitution even today,**(b)/** Prime Minister Narendra Modi said Buddha **(c)/**

reside in the soul of humanity **(d)**/ and connects different cultures and countries.**(e)**

- A. a
- B. b
- C. c
- D. d
- E. e

**21.** The National Highways Authority of India (NHAI) said **(a)**/ that an expert committee **(b)**/ will be constituted to probe the reasons **(c)**/ for the collapse of a segment of an **(d)**/ under-construction flyover in Maharashtra's Nagpur.**(e)**

- A. a
- B. b
- C. c
- D. d
- E. e

**22.** The Commission for Air Quality Management (CAQM) is strictly **(a)**/ complying with dust mitigation **(b)**/ measures at Construction and Demolition (C&D) **(c)**/ sites in the National Capital Region (NCR), **(d)**/ said the Government of India on Wednesday. **(e)**

- A. a
- B. b
- C. c
- D. d
- E. e

**23.** Addressing the nation, **(a)**/ Prime Minister Narendra Modi said **(b)**/ India's vaccination

programme **(c)**/ were science-born, **(d)**/ science-driven and science-based.**(e)**

- A. a
- B. b
- C. c
- D. D
- E. e

**24.** The External Affairs Minister unveiled a **(a)**/ plaque at Ra'anana in northern Israel **(b)**/ in the memory of Indian soldiers **(c)**/ who laid off their lives **(d)**/ in the Battle of Tabsor during World War I.**(e)**

- A. a
- B. b
- C. c
- D. d
- E. e

**Directions (25-30):** Each question below has one blank, which is indicating that something has been omitted. Choose the most suitable option indicating the words that can be used to fill up the blank in the sentence to make it meaningfully complete.

**25.** On December 30, Prime Minister Narendra Modi launched a hash tag (#IndiaSupportsCAA) on Twitter \_\_\_\_\_ the whole country with his government and those who support the CAA. If India supports the CAA, are those protesting tens of thousands out on the streets **not Indian?**

- A. Criticizing
- B. Enormous

- C. Conflating
- D. Comparing
- E. None of the above.

**26. To act as a \_\_\_\_\_ force against an expansive China, the U S, Japan, Australia and India formed the Quad.**

- A. Contrast
- B. Countervailing
- C. Liquidity
- D. Murky
- E. None of the above.

**27. Marico's biggest achievement isn't the profits or turnover or popularity. It's breaking new ground despite competing \_\_\_\_\_ with multinationals.**

- A. Bib and tucker
- B. Neck and neck
- C. Nip and tuck
- D. Both b and c
- E. None of the above

**28. My commitment to the sport will never change \_\_\_\_\_ of the outcome towards the award, but getting it will greatly benefit the sport,**

- A. Despite
- B. Therefore
- C. Irrespective
- D. Determined
- E. None of the above

**29. Both the Congress and BJP claim \_\_\_\_\_ that they do not differentiate between caste Hindus and the Dalits. The fact is they both do.**

- A. Vociferously
- B. Angrily
- C. Arguments
- D. Neatly
- E. None of the above

**30. Once the disrespectful worker was gone, the office was no longer filled with scornful \_\_\_\_\_.**

- A. adherence
- B. sanctions
- C. derision
- D. assistance
- E. None of these

### Quantitative Aptitude

**Directions (31-44): What value should come in the place of (?) in the following questions?**

**31)  $(50\% \text{ of } ?)/3 = \sqrt{1600} * 5$**

- a) 700
- b) 1200
- c) 900
- d) 1000
- e) 800

**32)  $\sqrt[3]{1331 + 5 * ?} = 16^2 + 15 * 8 - 215$**

- a) 30
- b) 50
- c) 70
- d) 60

e) 40

**33)**  $\sqrt{(125+20*5)+\sqrt{?}}=15\%$  of 240

- a) 361
- b) 256
- c) 441
- d) 529
- e) 324

**34)** 25% of 480 +  $\frac{5}{8} * 120 + ? = 25^2$

- a) 510
- b) 350
- c) 270
- d) 320
- e) 430

**35)**  $8^2 + 20 * 15 = 312 + 375 + 5^3$

- a) 2
- b) 3
- c) 1
- d) 4
- e) 5

**36)** 40% of 2500 - ? = 36% of 500 + 420

- a) 750
- b) 100
- c) 550
- d) 400
- e) 250

**37)**  $480 * 0.5 + ? = 20 * 360 / 15 + 175$

- a) 415
- b) 210
- c) 360
- d) 545

e) 470

**38)** 75% of ? +  $840 / 7 = (205 + 95) * 2$

- a) 360
- b) 480
- c) 640
- d) 560
- e) 400

**39)**  $65/4 * 120 / 13 - ?^2 = 25^3 / 5^3$

- a) 10
- b) 5
- c) 15
- d) 25
- e) 20

**40)**  $15^2 * 4 - 345 = ? + 210 + 155$

- a) 170
- b) 140
- c) 110
- d) 190
- e) 150

**41)**  $216 + ? * 7 = 15 * 10 + 16 * 5$

- a) 5
- b) 9
- c) 7
- d) 4
- e) 2

**42)**  $64^5 * 10^2 / 32^5 = 5^2 * ?$

- a) 128
- b) 144
- c) 102

- d) 154
- e) 126

**43)  $440+275+?=3500/5+250$**

- a) 215
- b) 345
- c) 235
- d) 405
- e) 385

**44) 24% of  $550+105/5=?-147$**

- a) 700
- b) 300
- c) 500
- d) 600
- e) 400

**Directions (45-49): What value should come in the place of (?) in the following number series?**

**45) 72, 73, 78, 87, ?, 117**

- a) 112
- b) 107
- c) 95
- d) 100
- e) 93

**46) 48, 52, 61, 86, 135, ?**

- a) 256
- b) 235
- c) 184
- d) 216
- e) 279

**47) 51, ?, 70, 92, 129, 186**

- a) 57
- b) 55
- c) 58
- d) 59
- e) 54

**48) 32, 16, 16, 32, ?, 1024**

- a) 48
- b) 80
- c) 128
- d) 96
- e) 160

**49) 250, 50, 200, 40, 160, ?**

- a) 15
- b) 32
- c) 20
- d) 25
- e) 10

**Directions (50-54): Read the following information carefully and answer the questions.**

The given table shows the number of pens, pencils and erasers distributed to three different classes i.e. I, II and III.

	Class I	Class II	Class III
Pen	56	75	84
Pencil	60	55	85
Eraser	44	66	70

**50) The number of pens and erasers distributed in class III is how much more/less than the**



**number of pencils distributed in class I and II together?**

- a) 30 more
- b) 18 less
- c) 39 more
- d) 25 less
- e) None of these

**51) If the number of pens distributed in class IV is 25% more than that of class I and the ratio of the number of pens to the total number of items distributed in class IV is 1:4, then find the number of pencils and erasers distributed in class IV?**

- a) 210
- b) 140
- c) 350
- d) 280
- e) None of these

**52) Find the ratio of the number of pencils distributed in all three classes together to the number of pens, pencils and erasers distributed in class I?**

- a) 8:9
- b) 7:6
- c) 3:2
- d) 5:4
- e) None of these

**53) The number of pencils distributed in classes II and III is what percentage more than the number of pens and erasers distributed in class I?**

- a) 25%
- b) 40%
- c) 75%
- d) 10%
- e) None of these

**54) If the number of pencils and papers distributed in class II is 32 more than the average number of erasers distributed in classes II and III together, then find the ratio of the number of pens and papers distributed in class II?**

- a) 5:6
- b) 9:7
- c) 4:3
- d) 1:2
- e) None of these

**Directions (55-57): Read the following information carefully and answer the questions.**

There are a certain number of people in three different villages i.e. A, B and C. Ratio of the number of people in villages A and C is 5:4 and the number of people in village B is 40% less than that of village A. Ratio of the number of males in village A to the number of females in village B is 5:2. The number of females in villages A and B is 30 more and 15 less than that of village C respectively. The average number of females in all three villages is 50.

**55) Find the difference between the number of males in villages A and B together and the total number of people in village C?**

- a) 20

- b) 35
- c) 50
- d) 15
- e) None of these

**56) If the total number of people in village D is  $\frac{4}{3}$ rd of the total number of people in village A and the number of males in village D is 50 more than that of females, then find the number of males in village D?**

- a) 125
- b) 75
- c) 145
- d) 95
- e) None of these

**57) Find the ratio of the number of males in village C to the average number of males and females in village B?**

- a) 3:8
- b) 4:7
- c) 5:3
- d) 2:1
- e) None of these

**58) The breadth of a rectangle is  $\frac{4}{5}$ th of its length and the perimeter of the rectangle is 108 cm, then find the area of the rectangle?**

- a) 540 cm<sup>2</sup>
- b) 810 cm<sup>2</sup>
- c) 630 cm<sup>2</sup>
- d) 720 cm<sup>2</sup>
- e) None of these

**59) A and B together complete  $66\frac{2}{3}\%$  of the work in 20 days and the efficiency of A is 50% more than that of B. If A, B and C together complete the work in 10 days, then how many days B and C together complete the whole work?**

- a) 12.5 days
- b) 7.5 days
- c) 10.5 days
- d) 17.5 days
- e) None of these

**60) A shopkeeper sold an article at a loss of 25%. If he sold the same article for Rs.378 more, then he would earn a profit of 20%. Find the cost price of the article?**

- a) Rs.560
- b) Rs.720
- c) Rs.600
- d) Rs.840
- e) None of these

**61) 5 years ago, the ratio of the age of Palani and Baba is 7:5. If Ramar is 17 years elder than Baba and the average age of Palani, Baba and Ramar is 39 years, then find the age of Baba 2 years hence?**

- a) 28 years
- b) 54 years
- c) 32 years
- d) 44 years
- e) None of these

**62) Murali invested Rs.5500 in simple interest at the rate of R% per annum for 5 years. After 5 years, the total amount received by Murali is 20% more than its investment, then find the value of R?**

- a) 16
- b) 24
- c) 18
- d) 20
- e) None of these

**63) A and B started a business with the investment of Rs.x and Rs.(x+4000) respectively and the investment time of A and B is 24 and 16 months respectively. If the profit share of B is Rs.1440 out of the total profit of the business is Rs.2400, then find the value of x?**

- a) 3200
- b) 7200
- c) 4000
- d) 5200
- e) None of these

**64) A vessel contains 90 liters of milk and the rest is water which is  $\frac{1}{4}$ th of the mixture of the vessel. If 36 liters of mixture is taken out and added x liters of water, then the ratio of milk and water becomes 7:4. Then find the value of x?**

- a) 20
- b) 10
- c) 9
- d) 15
- e) None of these

**65) Ratio of the speed of the boat in still water and stream is 7:2. If the boat covers 432 km downstream in 6 hours, then find the time taken by boat to cover 280 km upstream?**

- a) 4 hours
- b) 5 hours
- c) 7 hours
- d) 8 hours
- e) None of these

### **Reasoning Ability**

**Directions (66-70): Study the following information carefully and answer the below questions.**

Seven persons- A, B, C, D, E, F, and G are working in the bank with different positions. The designations are in decreasing order such as Chairman and Managing Director(CMD), Executive Director(ED), General Manager(GM), Deputy General Manager(DGM), Assistant General Manager(AGM), PO and Clerk but not necessarily in the same order.

Three persons are working between F and D who is senior to F. The number of persons senior to D is the same as the number of persons junior to C. Only one person works between D and E. A neither works as ED nor PO. G is senior to B but not senior to D.

**66) Who among the following person works as PO?**

- a) The one who works immediately senior to C
- b) The one who works immediately junior to G
- c) D
- d) A

e) F

**67) Who among the following persons are senior to A?**

**I. F**

**II. B**

**III. D**

**IV. G**

- a) Only I and IV
- b) Only I and III
- c) Only III and IV
- d) Only II and III
- e) Only I and II

**68) How many persons work senior to E?**

- a) Three
- b) Four
- c) Five
- d) Two
- e) One

**69) What is the designation of F?**

- a) CMD
- b) AGM
- c) DGM
- d) PO
- e) Clerk

**70) Four of the five among the following are similar in such a way to form a group, which one of the following doesn't belong to the group?**

- a) DC
- b) DE
- c) GA

d) EF

e) FC

**Directions (71-74): Study the following information carefully and answer the questions given below.**

**N G U 5 K S 6 7 Q E 8 R A 1 T 3 Y O Z 2 M 4 J 9**

**71) How many numbers are there between the elements which are sixth from the left end and fourth from the right end?**

- a) Five
- b) Seven
- c) Six
- d) Four
- e) Three

**72) How many even numbers are immediately preceded by consonants in the given series?**

- a) Two
- b) Three
- c) One
- d) None
- e) Four

**73) Which of the following element is sixth to the left of the element which is tenth from the right end?**

- a) K
- b) 5
- c) 7
- d) E
- e) Q

**74) What is the position of "3" with respect to "M"**

- a) Fourth to the left
- b) Third to the left
- c) Fifth to the left
- d) Second to the left
- e) Sixth to the left

**75) How many pairs of letters are there in the word "SIDEWAY" each of which has as many letters between them as in the English alphabetical series (Both forward and backward direction)?**

- a) One
- b) Two
- c) Four
- d) More than four
- e) Three

**Directions (76-80): Study the following information carefully and answer the below questions.**

Seven boxes- L, M, N, O, P, Q, and R are kept one above another on seven different shelves but not necessarily in the same order. The lowermost shelf is numbered as one and the topmost shelf is numbered as seven.

Box Q is kept three boxes above box R. Only one box is kept between R and P. Box P is not kept adjacent to box Q. The number of boxes kept between Q and P is the same as the number of boxes kept between O and M. Box N is kept above box L which is kept above box M. Box O is not kept adjacent to Box N.

**76) Which of the following box is kept on the sixth shelf?**

- a) Box O
- b) Box Q
- c) Box L
- d) Box R
- e) Box M

**77) How many boxes are kept between N and P?**

- a) Three
- b) Two
- c) One
- d) Four
- e) None

**78) Box M is kept on \_\_\_ shelf.**

- a) Fifth
- b) Fourth
- c) Third
- d) Second
- e) First

**79) Four of the five among the following are similar in such a way to form a group, which one of the following doesn't belong to the group?**

- a) OQ
- b) RP
- c) NL
- d) RM
- e) MP

**80) If all the boxes are arranged in alphabetical order from the top, then how many boxes are remaining unchanged in their position?**

- a) Four
- b) Three
- c) Two
- d) None
- e) One

**Directions (81-83): Study the following information carefully and answer the below questions**

Point L is 14m east of point M. Point P is 4m east of Point S which is 6m north of Point Q. Point U is 9m south of Point X. Point M is 9m north of point P. Point X is 10m west of Point Z. Point Q is 8m west of point U.

**81) What is the distance between points L and Z?**

- a) 7m
- b) 4m
- c) 5m
- d) 6m
- e) 3m

**82) What is the direction of M with respect to U?**

- a) East
- b) North-West
- c) North-East
- d) South
- e) South-west

**83) Four of the following are alike in a certain way and hence form a group. Which of the following ones does not belong to the group?**

- a) SM
- b) US
- c) PL
- d) QZ
- e) UZ

**84) If "ACROSS" is coded as "CETQUU", in the same way, "CLIENT" is coded as "ENKGPV", then what is the code for "DEFINE"?**

- a) GFHKPG
- b) BGHKPG
- c) EGHLPG
- d) FGHKPG
- e) FGHLQG

**85) If in the number "256374815", the odd digits are increased by 2, and the even digits are decreased by 1, then which of the following digits are repeated more than two times?**

- a) Only 9
- b) Only 5
- c) Both 3 and 5
- d) Both 3 and 7
- e) Only 7

**Directions (86-90): Study the following information carefully and answer the below questions.**

A certain number of persons are sitting in the linear row and facing north. S sits sixth from one of the ends. G sits fourth to the left of S. Only

two persons are sitting between S and L. G and L are not immediate neighbours. Eight persons are sitting between M and G. U sits second to the left of M. Only three persons are sitting between U and K. More than two persons sitting between M and K. The number of persons sitting to the left of K is the same as the number of persons sitting to the right of X who sits to the right of L. More than three persons sitting between S and X.

**86) Who among the following person sits to the right of S?**

- a) U
- b) M
- c) L
- d) K
- e) G

**87) Who among the following person sitting between M and L?**

**I. G**

**II. S**

**III. X**

**IV. K**

- a) Only I and II
- b) Only III and IV
- c) Only I and III
- d) Only II and IV
- e) All I, II, III and IV

**88) How many persons are sitting in the linear row?**

- a) 24
- b) 25

- c) 23
- d) 22
- e) 21

**89) How many persons sitting between M and S?**

- a) 13
- b) 09
- c) 10
- d) 11
- e) 12

**90) What is the position of U from the left end?**

- a) Seventh
- b) Sixth
- c) Fourth
- d) Fifth
- e) Third

**Directions (91-95): Study the following information carefully and answer the questions given below.**

Ten persons are sitting in the two parallel rows and facing each other. In Row1 A, B, C, D, and E are sitting and facing south. In row2 H, I, J, K and L are sitting and facing north but not necessarily in the same order.

I sits third to the right of L. B sits opposite to L. A sits second to the left of B. The number of persons sitting between B and A is the same as the number of persons sitting between L and K. C and I sitting opposite to each other. Neither D nor E sits adjacent to C. E sits to the left of B. J and E does not sit opposite to each other.

**91) Who among the following person sits second to the right of H?**

- a) K
- b) The one who sits immediate right of J
- c) The one who sits immediate left of L
- d) I
- e) None of the above

**92) Who among the following person sits between B and C?**

- a) E
- b) A
- c) D
- d) Both a and b
- e) Both b and c

**93) Who among the following pair does not sit opposite to each other?**

- a) DJ
- b) BH
- c) CI
- d) AK
- e) None of the above

**94) Who among the following person sits opposite to K?**

- a) The one who sits immediate right of B
- b) J
- c) The one who sits third to the left of D
- d) The one who sits immediate left of A
- e) E

**95) Four of the following five are alike in a certain way and hence form a group. who**

**among the following person does not belong to the group?**

- a) The one who sits immediate left of L
- b) The one who sits immediate right of K
- c) The one who sits opposite to I
- d) The one who sits second to the right of E
- e) L

**Directions (96-98): In each of the following questions, the relationship between different elements is shown in the statements followed by two conclusions. Find the conclusion which is definitely true.**

**96) Statements:**

$$S \leq D < I = M \leq P = H > O$$

**Conclusions:**

I.  $H > D$

II.  $P \geq S$

- a) If only conclusion I is true
- b) If only conclusion II is true
- c) If either conclusion I or II is true
- d) If neither conclusion I nor II is true
- e) If both conclusions I and II are true

**97) Statements:**

$$X \leq G < N < Y = P > H > Q$$

**Conclusions:**

I.  $P > X$

II.  $N < Q$

- a) If only conclusion I is true.
- b) If only conclusion II is true.
- c) If either conclusion I or II is true.
- d) If neither conclusion I nor II is true.
- e) If both conclusions I and II are true.



**98) Statements:**

$$G > Q \geq B = S \geq N = T \geq Z$$

**Conclusions:**

I.  $Q > Z$

II.  $Z = Q$

- a) If only conclusion I is true.
- b) If only conclusion II is true.
- c) If either conclusion I or II is true.
- d) If neither conclusion I nor II is true.
- e) If both conclusions I and II are true.

**Directions (99 -100): Study the following statements and then decide which of the given conclusions logically follows from the given statements disregarding commonly known facts.**

**99) Statement**

Only a few Arrow is Cross

No Cross is Rhombus

All Rhombus is Minus

**Conclusion**

- I. Some Minus can be Cross
- II. No Arrow is Rhombus

- a) If Only conclusion I follows.
- b) If Only conclusion II follows.
- c) If either conclusion I or II follows.
- d) If Neither conclusion I nor II follows.
- e) If both conclusions I and II follow.

**100) Statement**

Only a few Cylinder is Cube

All Cylinder is Heart

No Cube is Oval

**Conclusion**

- I. Some Cylinder is not an Oval
  - II. All Cube can be Heart
- a) If Only conclusion I follows.
  - b) If Only conclusion II follows.
  - c) If either conclusion I or II follows.
  - d) If Neither conclusion I nor II follows.
  - e) If both conclusions I and II follow.

**Answer With Explanation**

**1. Answer: A**

In the given passage, it is mentioned that “The panel mentioned the need to put in place policies that will allow for at least a doubling of water infrastructure investment in the next **five years.**”

Therefore, option A is the correct answer.

**2. Answer: E**

In the given passage, it is mentioned that “The situation is so worrisome that 12 world leaders — 11 heads of state and a special adviser of a high-level panel on water – wrote an open letter to global leaders a week ago warning that the world is facing a water crisis and issued a New Agenda for Water Action.”

Therefore, option E is the correct answer.

### 3. Answer: B

In the given passage, it is mentioned that “Observing that we need to make “every drop count”, they called for a new approach: rethinking how we understand, value and manage water as a precious resource, and catalysing change and building partnerships to achieve the water-related goals of the 2030 Agenda for Sustainable Development.”

Therefore, option B is the correct answer.

### 4. Answer: E

In the given passage, it is mentioned that “In India, a growing population, lack of adequate planning, crumbling infrastructure, indiscriminate drilling of borewells, large-scale consumption of water, and a false sense of entitlement in using water carelessly are causing water shortages”.

Therefore, option C is the correct answer.

### 5. Answer: B

In the given passage, it is mentioned that “the day may not be far off when authorities will be forced to ration water supply in cities like **Bengaluru**, which has been ranked second in the list of 11 global cities which might face the imminent threat of running out of drinking water.”

Therefore, option B is the correct answer.

### 6. Answer: A

The word ‘**collaborate**’ means ‘work jointly on an activity or project’ and the word ‘**cooperate**’ means ‘work jointly towards the same end’.

Therefore, option A is the correct answer.

### 7. Answer: D

The given passage is talking about facing water crisis due to various reasons. So, the word ‘reckless’ which means ‘careless’ fits correctly in the sentence as it is talking about people carelessly using water.

Therefore, option D is the correct answer.

### 8. Answer: A

The correct sentence after the rearrangement is: Unless **(A)drastic** measures are taken to **(B)minimise** water usage, the day may not be far off when authorities will be **(C)forced** to **(D)ration** water supply in cities like Bengaluru,

**Drastic:** likely to have a strong or far-reaching effect; radical and extreme.

**Minimize:** reduce (something, especially something undesirable) to the smallest possible amount or degree.

### 9. Answer: E

The third sentence will be statement C.

### 10. Answer: A

**Sol.** The fifth sentence will be statement B.

### 11. Answer: D

The first statement will be statement E.

### 12. Answer: B

The last sentence will be statement D.

### 13. Answer: D

The correct sequence of the given sentences is EACFBD.

(E) Long before the earliest animals swam through the water-covered surface of Earth's ancient past, one of the most important encounters in the history of life took place.

***'It's the theme of the passage that elaborates how the most important encounter occurred in the history of life thus will be the first sentence.'***

(A) A primitive bacterium was engulfed by our oldest ancestor - a solo, free-floating cell.

***' It will be the second statement of the rearranged paragraph, as it mentions the 'important encounter' i.e. a primitive bacterium was enveloped by our oldest ancestor- free and solo floating cell.'***

(C) The two fused to form a mutually beneficial relationship that has lasted more than a billion years, with the latter providing a safe, comfortable home and the former becoming a powerhouse, fueling the processes necessary to maintain life.

***"it will be the third statement of the rearranged paragraph, as it furthers the event as to what happened next when the two fused. They formed a mutually beneficial relationship that still exists. The free floating cell provides a safe comfortable home while the primitive bacterium became a powerhouse and fuelled the processes essential to maintain life.'***

(F) That's the best hypothesis to date for how the cellular components, or organelles, known as mitochondria came to be.

***' It will be the fourth statement of the rearranged paragraph which brings down the idea mentioned in 3 statements as ' the best hypothesis' till date for how mitochondria came into existence.'***

(B) Today, trillions of these bacterial descendants live within our bodies, churning out ATP, the molecular energy source that sustains our cells.

***' It will be the fifth statement of the rearranged paragraph which mentions that trillions of these bacterial descendants ( the ones mentioned previously) live in our bodies, churn out the ATP which is a molecular energy source for sustaining life in our body cells.'***

(D) Despite being inextricably integrated into the machinery of the human body, mitochondria also carry remnants of their bacterial past, such as their own set of DNA.

***' It will be the last statement of the rearranged paragraph which explains how mitochondria despite being inextricably included in human body machinery, carries remnants of past bacterial, like their own set of DNA.'***

**14. Answer: A**

Amid criticism that it did not enforce steps to curb (a) the spread of COVID19 during the protracted (b) campaign for Assembly elections in four States and one Union Territory with sufficient vigour (c), the Election Commission of India has now banned (d) victory processions after the results are declared on May 2.

**15. Answer: B**

Covering an entire State in as few phases as possible will help localise the **potential (a)** for violence, prevent the spread of tension due to the **virulence (b)** of the campaign, besides reducing the **fatigue (c)** of forces **deployed (d)** throughout the campaign, up to the day of counting.

**16. Answer: C**

The Central government has **transferred (a)** the responsibility of vaccinating people in the 18-44 age group to the States, and **opened (b)** up vaccine **pricing (c)** to market forces, at a time when discussions around the world are about an intellectual property (IP) waiver for COVID-19 vaccines and **providing (d)** free vaccines.

**17. Answer: D**

The important objective in the policy is to **accelerate (a)** vaccination but the way in which the new policy is **designed (b)** we may not **achieve (c)** that, precisely because it **fragsments (d)** the market.

**18. Answer: A**

Solution- Words A and B need to be changed as in common economic parlance 'global economic estimate' is used to address the global economic activity. Thus exchanging the two words lends meaning to the sentence. Words C and D are to be exchanged as omicron is a new variant of Covid 19. Thus, the words C and D are to be exchanged.

**19. Answer: E**

Out of the five given parts, **part (e)** has a grammatical error. Usage of verb (**involving**) is incorrect. (**involving**) will be replaced by the noun (**involvement**)

**Correction-** "involvement in arms trafficking"

**Hence option E is the correct answer.**

**20. Answer: D**

Out of the five given parts, **part (d)** has a grammatical error. Usage of (**reside**) is incorrect because Budhha is a singular noun and it should be followed with a singular verb. So "**resides**" will be the correct word.

**Correction-** "resides in the soul of humanity"

**Hence option D is the correct answer.**

**21. Answer: C**

Out of the five given parts, **part (c)** has a grammatical error.

**Will** signifies future perfect tense that is an event which will complete within a timespan while "**Will be**" refers to future continuous tense that is something which will take place in the near future but no specific time period can be deduced at the point.

**Correction-** "**will be** constituted to probe the reasons"

**Hence option C is the correct answer.**

**22. Answer: D**

Out of the five given parts, **part (d)** has a contextual error.

**Cite**, is often used when making reference to something, typically functions as a verb

**Site** refers to a place or the act of finding a place for something.

**Correction-** “sites in the National Capital Region (NCR),”

Hence option D is the correct answer.

**23. Answer: D**

Out of the five given parts, **part (d)** has a grammatical error. Usage of **(were)** is incorrect. Vaccination programme is singular so the verb that will be used is also singular. So “**was**” will be the correct word.

**Correction-** “was science-born”

Hence option D is the correct answer.

**24. Answer: D**

Out of the five given parts, **part (d)** has a grammatical error. Usage of phrasal verb **(LAID OFF)** is incorrect. So “**laid down**” will be the correct word.

**Laid down** means to give up one's life for a **good purpose**.

**Correction-** “who laid down their lives”

Hence option D is the correct answer.

**25. Answer: C**

Conflating (combining two or more text or ideas into one and putting them in confusion), enormous (huge)

**26. Answer: B**

Countervailing (offsetting an effect by countering it with something of equal force), murky (unclear)

**27. Answer: C**

Neck-and-neck/nip and tuck (very close in a competition) Bib and tucker (fine clothes),

**28. Answer: C**

Irrespective (without regard for consequences) is the correct usage.

**29. Answer: A**

Vociferously (energetically and with loudness)

**30. Answer: C**

As the sentence is talking about disrespectful mocking, the word ‘derision’ fits correctly as it means ‘contemptuous ridicule or mockery.’ Therefore, option C is the correct answer.

**31) Answer: B**

$$(50\% \text{ of } ?)/3 = \sqrt{1600} * 5$$

$$(50 * ? / 100) = 40 * 5 * 3$$

$$? / 2 = 600$$

$$? = 1200$$

**32) Answer: A**

$$\sqrt[3]{1331} + 5 * ? = 16^2 + 15 * 8 - 215$$

$$11 + 5 * ? = 256 + 120 - 215$$

$$5 * ? = 150$$

$$? = 30$$

**33) Answer: C**

$$\sqrt{(125+20*5)}+\sqrt{?}=15\% \text{ of } 240$$

$$225+\sqrt{?}=36$$

$$\sqrt{?}=21$$

$$?=441$$

**34) Answer: E**

$$25\% \text{ of } 480+5/8*120+?=25^2$$

$$120+75+?=625$$

$$?=430$$

**35) Answer: B**

$$8^?+20*15=312+375+5^3$$

$$8^?=312+375+125-300$$

$$8^?=512$$

$$8^?=8^3$$

$$?=3$$

**36) Answer: D**

$$40\% \text{ of } 2500-?=36\% \text{ of } 500+420$$

$$1000-?=180+420$$

$$?=400$$

**37) Answer: A**

$$480*0.5+?=20*360/15+175$$

$$240+?=480+175$$

$$?=415$$

**38) Answer: C**

$$75\% \text{ of } ?+840/7=(205+95)*2$$

$$3*?/4+120=300*2$$

$$3*?/4=480$$

$$?=640$$

**39) Answer: B**

$$65/4*120/13-?^2=25^3/5^3$$

$$150-?^2=(25/5)^3$$

$$150-125=?^2$$

$$?^2=25$$

$$?=5$$

**40) Answer: D**

$$15^2*4-345=?+210+155$$

$$900-345=?+365$$

$$?=190$$

**41) Answer: E**

$$216+?*7=15*10+16*5$$

$$216+?*7=150+80$$

$$?*7=14$$

$$?=2$$

**42) Answer: A**

$$64^5*10^2/32^5=5^2*?$$

$$(64/32)^5*10^2=5^2*?$$

$$2^5*10^2/5^2=?$$

$$?=128$$

**43) Answer: C**

$$440+275+?=3500/5+250$$

$$440+275+?=700+250$$

$$?=235$$

**44) Answer: B**

$$24\% \text{ of } 550+105/5=?-147$$

$$132+21+147=?$$

$$?=300$$

**45) Answer: D**

$$72+1=73$$

$$73+5=78$$

$$78+9=87$$

$$87+13=100$$

$$100+17=117$$

**46) Answer: A**

$$48+2^2=52$$

$$52+3^2=61$$

$$61+5^2=86$$

$$86+7^2=135$$

$$135+11^2=256$$

**47) Answer: C**

51	<b>58</b>	70	92	129	186
7	12	22	37	57	
5	10	15	20		

**48) Answer: C**

$$32*0.5=16$$

$$16*1=16$$

$$16*2=32$$

$$32*4=128$$

$$128*8=1024$$

**49) Answer: B**

$$250/5=50$$

$$50*4=200$$

$$200/5=40$$

$$40*4=160$$

$$160/5=32$$

**50) Answer: C**

$$\text{Required difference}=84+70-(60+55)=39 \text{ more}$$

**51) Answer: A**

The number of pens distributed in class

$$IV=56*125/100=70$$

The number of pens, pencils and erasers

$$\text{distributed in class IV}=70*4/1=280$$

The number of pencils and erasers distributed in

$$\text{class IV}=280-70=210$$

**52) Answer: D**

The number of pencils distributed in all three

$$\text{class}=60+55+85=200$$

The number of pens, pencils and erasers

$$\text{distributed in class I}=56+60+44=160$$

$$\text{Required ratio}=200:160=5:4$$

**53) Answer: B**

The number of pencils distributed in classes II

$$\text{and III}=55+85=140$$

The number of pens and erasers distributed in

$$\text{class I}=56+44=100$$

$$\text{Required percentage}=(140-100)/100*100=40\%$$

**54) Answer: E**

The average number of erasers distributed in

$$\text{classes II and III}=(66+70)/2=68$$

The number of pencils and papers distributed in

$$\text{class II}=68+32=100$$

The number of papers distributed in class

$$II=100-55=45$$

$$\text{Required ratio}=75:45=5:3$$

**Directions (55-57):**

The total number of females in all the village =  $50 \times 3 = 150$

The number of females in village C =  $x$

The number of females in village A =  $x + 30$

The number of females in village B =  $x - 15$

$$x + x + 30 + x - 15 = 150$$

$$x = 45$$

The number of females in village A =  $45 + 30 = 75$

The number of females in village B =  $45 - 15 = 30$

The number of females in village C =  $45$

The number of males in village A =  $30 \times \frac{5}{2} = 75$

The total number of people in village

$$A = 75 + 75 = 150$$

The total number of people in village

$$C = 150 \times \frac{4}{5} = 120$$

The number of males in village C =  $120 - 45 = 75$

The total number of people in village

$$B = 150 \times \frac{60}{100} = 90$$

The number of males in village B =  $90 - 30 = 60$

Village	Total	Males	Females
A	150	75	75
B	90	60	30
C	120	75	45

55)

**Answer: D**

$$\text{Required difference} = 75 + 60 - 120 = 15$$

**56) Answer: A**

The total number of people in village

$$D = 150 \times \frac{4}{3} = 200$$

The number of males in village

$$D = (200 + 50) / 2 = 125$$

**57) Answer: C**

The average number of males and females in village B =  $90 / 2 = 45$

$$\text{Required ratio} = 75 : 45 = 5 : 3$$

**58) Answer: D**

Let the length of the rectangle =  $5x$

And the breadth of the rectangle =  $5x \times \frac{4}{5} = 4x$

$$2 \times (5x + 4x) = 108$$

$$x = 54 / 9$$

$$x = 6$$

The length of the rectangle =  $5 \times 6 = 30$  cm

The breadth of the rectangle =  $4 \times 6 = 24$  cm

$$\text{Area of the rectangle} = 30 \times 24 = 720 \text{ cm}^2$$

**59) Answer: A**

A and B together complete the work =  $20 \times \frac{3}{2} = 30$  days

Ratio of the efficiency of A and B =  $3 : 2$

$$\frac{1}{2}x + \frac{1}{3}x = \frac{1}{30}$$

$$3 + 2 = x / 5$$

$$x = 25$$

A alone complete the work =  $2 \times 25 = 50$  days

B alone complete the work =  $3 \times 25 = 75$  days

C alone complete the work =  $y$  days

$$A + B + C = \frac{1}{10}$$

$$\frac{1}{50} + \frac{1}{75} + \frac{1}{y} = \frac{1}{10}$$

$$\frac{1}{y} = \frac{1}{15}$$

$$y = 15$$

Required days =  $\frac{1}{75} + \frac{1}{15} = \frac{(1+5)}{75} = \frac{2}{25}$  or 12.5 days

**60) Answer: D**

CP of an article =  $x$



Article sold at 25% loss= $x \cdot 75/100 = 3x/4$

$$3x/4 + 378 = x \cdot 120/100$$

$$3x/4 + 378 = 6x/5$$

$$x = 840$$

**61) Answer: C**

$$\text{Baba} = 5x + 5$$

$$\text{Palani} = 7x + 5$$

$$\text{Ramar} = 5x + 5 + 17 = 5x + 22$$

$$5x + 5 + 7x + 5 + 5x + 22 = 39 \cdot 3$$

$$17x = 85$$

$$x = 5$$

Present age of Baba =  $5 \cdot 5 + 5 = 30$  years

Age of Baba 2 years hence =  $30 + 2 = 32$  years

**62) Answer: B**

$$5500 \cdot R \cdot 5/100 = 5500 \cdot 120/100$$

$$R = 24\%$$

**63) Answer: A**

Profit share of A and B = 960:1440 = 2:3

$$x \cdot 24 / [(x + 4000) \cdot 16] = 2/3$$

$$9x/4 = x + 4000$$

$$5x = 16000$$

$$x = 3200$$

**64) Answer: D**

Milk in vessel = 90 liters

Water in vessel =  $90 \cdot 1/3 = 30$  liters

$$(90 - 36 \cdot 3/4) / (30 - 36 \cdot 1/4 + x) = 7/4$$

$$63 / (21 + x) = 7/4$$

$$36 = 21 + x$$

$$x = 15$$

**65) Answer: C**

Speed of the boat =  $7x$

Speed of the stream =  $2x$

Downstream speed of the boat =  $432/6 = 72$  km/hr

Speed of the boat =  $72 \cdot 7x / (7x + 2x) = 56$  km/hr

Speed of the stream =  $72 - 56 = 16$  km/hr

Upstream speed of the boat =  $56 - 16 = 40$  km/hr

Required time =  $280/40 = 7$  hours

**Directions (66-70):**

**66) Answer: A**

**67) Answer: C**

**68) Answer: D**

**69) Answer: B**

**70) Answer: A**

**Final Arrangement**

Designation	Person
CMD	D
ED	G
GM	E
DGM	A
AGM	F
PO	B
CLERK	C

We have,

- Three persons are working between F and D who is senior to F.
  - The number of persons senior to D is the same as the number of persons junior to C.
- From the above condition, there are two possibilities.

	Case-1	Case-2
<b>CMD</b>	D	
<b>ED</b>		
<b>GM</b>		D
<b>DGM</b>		
<b>AGM</b>	F	C
<b>PO</b>		
<b>CLERK</b>	C	F

Again we have,

- Only one person works between D and E.
- A neither works as ED nor PO.
- G is senior to B but not senior to D.

From the above condition, Case-2 gets eliminated. Case-1 shows the final arrangement.

	Case-1	<del>Case-2</del>
<b>CMD</b>	D	E
<b>ED</b>	G	G
<b>GM</b>	E	D
<b>DGM</b>	A	A
<b>AGM</b>	F	C
<b>PO</b>	B	B
<b>CLERK</b>	C	F

71) Answer: C

Given series

NGU5K S67QE8RA1T3YOZ 2M4J9

72) Answer: B

Given series

NGU5KS67QE8RA1T3YOZ2M4J  
9

Required order → Consonants-Even number

NGU5K **S**67QE8RA1T3YOZ **2M**4J9

73) Answer: E

Given series

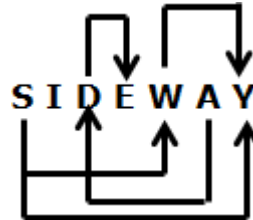
NGU5KS67**Q**E8RA1T3YOZ2M4J  
9

74) Answer: C

Given series

NGU5KS67QE8RA1T3YOZ2**M**4J  
9

75) Answer: D



Directions (76-80):

76) Answer: B

77) Answer: A

78) Answer: D

79) Answer: B

80) Answer: E

Final Arrangement

Shelves	Boxes
7	O
6	Q
5	N
4	L
3	R
2	M
1	P

e have,

- Box Q is kept three boxes above box R.
- Only one box is kept between R and P.
- Box P does not kept adjacent to box Q.

From the above condition, there are two possibilities.

Shelves	Case-1	Case-2
7	Q	
6		Q
5		
4	R	
3		R
2	P	
1		P

Again we have,

- The number of boxes kept between Q and P is the same as the number of boxes kept between O and M.
- Box N is kept above box L which is kept above box M.
- Box O does not kept adjacent to Box N.

From the above condition, case-1 get eliminated. Case-2 show the final arrangement.

Shelves	<del>Case-1</del>	Case-2
7	Q	O
6	O	Q
5	N	N
4	R	L
3	L	R
2	P	M
1	M	P

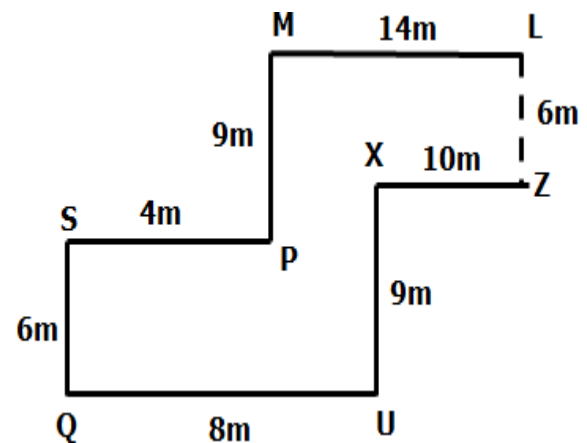
Directions (81-83):

81) Answer: D

82) Answer: B

83) Answer: B

Final Arrangement



84) Answer: D

ACROSS → Alphabet +2 → A+2=C in the same way,

D → F, E → G, F → H, I → K, N → P, E → G

85) Answer: E

256374815

175593737

Directions (86-90):

86) Answer: C

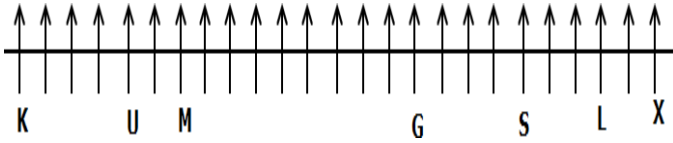
87) Answer: A

88) Answer: B

89) Answer: E

90) Answer: D

Final Arrangement

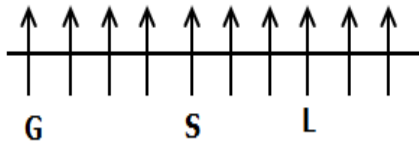


We have,

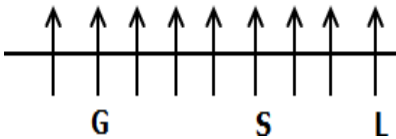
- S sits sixth from one of the ends.
- G sits fourth to the left of S.
- Only two persons are sitting between S and L.
- G and L are not immediate neighbours.

From the above condition, there are two possibilities.

Case-1



Case-2

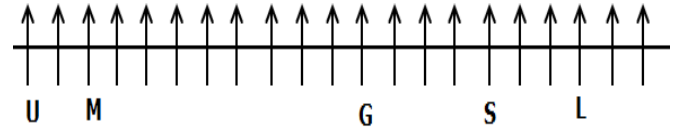


Again we have,

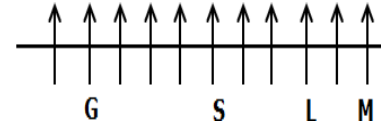
- Eight persons are sitting between M and G.
- U sits second to the left of M.

From the above condition, Case-2 gets eliminated.

Case-1



~~Case-2~~

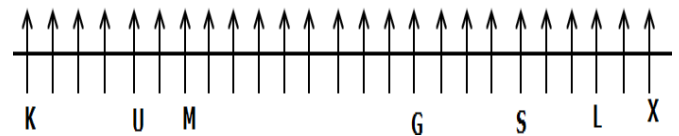


Again we have,

- Only three persons are sitting between U and K.
- More than two persons sitting between M and K.
- The number of persons sitting to the left of K is the same as the number of persons sitting to the right of X who sits to the right of L.
- More than three persons sitting between S and X.

From the above condition, case-1 shows the final arrangement.

Case-1



Directions (91-95):

91) Answer: D

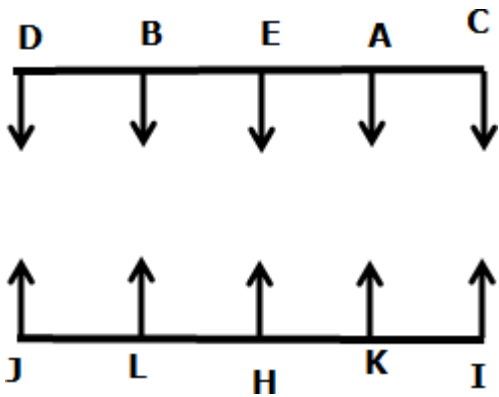
92) Answer: D

93) Answer: B

94) Answer: C

95) Answer: E

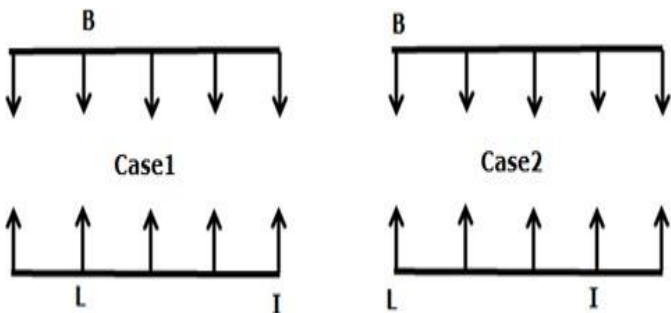
Final Arrangement



We have,

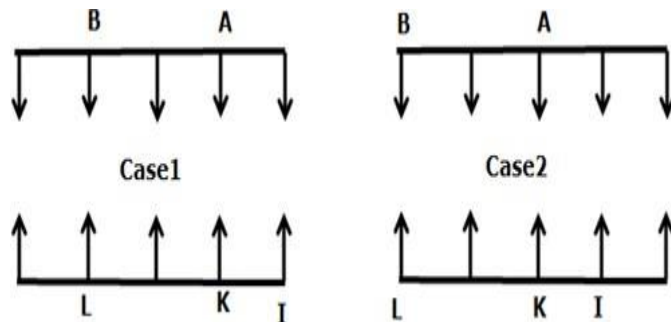
- I sits third to the right of L.
- B sits opposite to L.

From the above condition, there are two possibilities.



Again we have,

- A sits second to the left of B.
- The number of persons sitting between B and A is the same as the number of persons sitting between L and K.

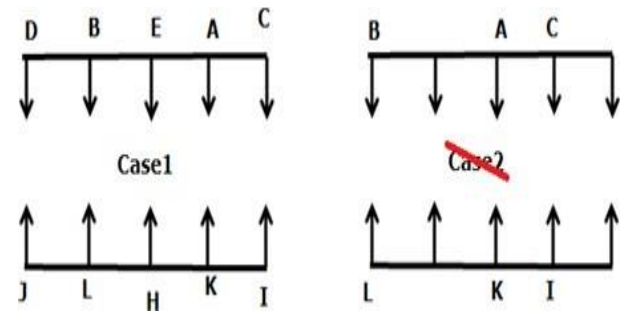


Again we have,

- C and I sitting opposite to each other.

- Neither D nor E sits adjacent to C.
- E sits to the left of B.
- J and E do not sit opposite to each other.

From the above condition, case2 gets eliminated. Case1 shows the final arrangement.



96) Answer: A

- $H > D$  ( $D < I = M \leq P = H$ ) True
- $P \geq S$  ( $S \leq D < I = M \leq P$ ) False

Only conclusion I is true

97) Answer: A

- $P > X$  ( $X \leq G < N < Y = P$ ) → True
- $N < Q$  ( $N < Y = P > H > Q$ ) → False

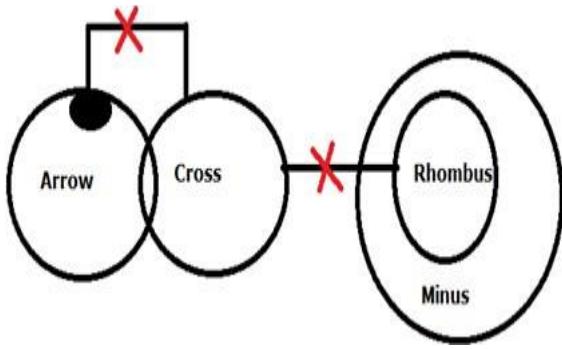
Only conclusion I is true.

98) Answer: C

- $Q > Z$  ( $Q \geq B = S \geq N = T \geq Z$ ) → False
- $Z = Q$  ( $Q \geq B = S \geq N = T \geq Z$ ) → False

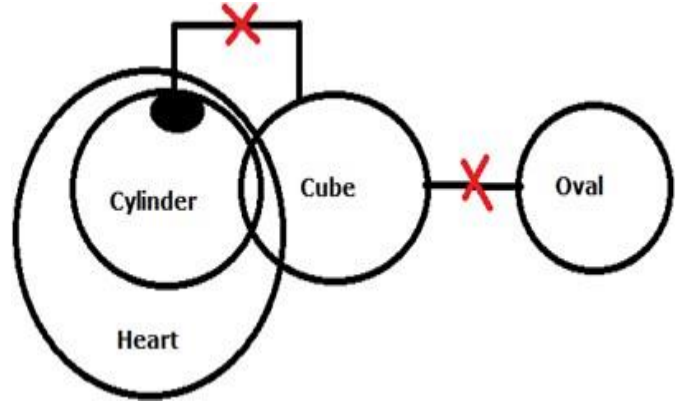
Either conclusion I or II is true.

99) Answer: A



Only conclusion I follows

100) Answer: E



Both conclusions I and II follow.