

6. What is the possible Formula of maximum mutual inductance ?

- A. $\sqrt{L_1 \times L_2}$
- B. $\sqrt{L_1 + L_2}$
- C. $L_1 \times L_2$
- D. $L_1 + L_2$

Sol. $M = K\sqrt{L_1 L_2}$ it will be max if Coefficient of coupling (k) = 1.

So, $M = \sqrt{L_1 \times L_2}$

Option A is correct.

7. What is formula for Voltage regulation of the transmission line ?

Sol. $Voltage\ Regulation\ in\ \% = \frac{V_{NL} - V_{FL}}{V_{FL}} \times 100$

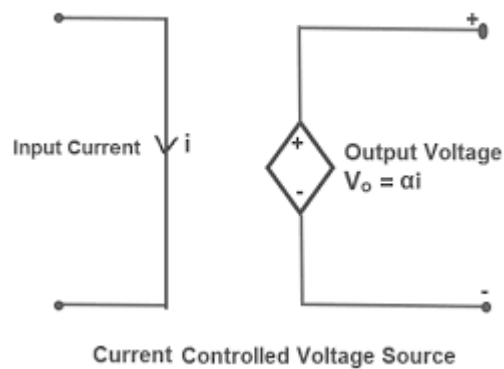
8. What will be the speed of the rotor for 3% slip if number of pole is 6 and supply frequency is 50 Hz ?

Sol. $N_s = 120f/p = 120 \times 50/6 = 1000\text{RPM}$

speed of rotor $N_r = N_s(1-s) = 1000(1-0.03) = 970\text{RPM}$

9. What is the Symbol of current control voltage source ?

Sol.



10. Stroboscopic effect does not come in

- A. Mercury vapour lamp
- B. Sodium vapour lamp
- C. Incandescent bulb
- D. Fluorescent bulb

Sol. Incandescent Bulb

11. Out of the following which is not an insulator ?

- A. Diamond
- B. Rubber
- C. Polystyrene
- D. Gold

Ans. D

Sol. Gold is not insulator but conductor.

12. Which capacitor have high voltage rating ?

- Paper
- Electrolytic

Ans. Electrolytic capacitor

13. Which is analogous to Resistivity in magnetic circuit ?

Sol. Magnetic reluctance is analogous to Resistivity

14. For which of the following, Voltage proportional to rate of change of current ?

- A. Inductor
- B. Capacitor
- C. Both
- D. None

Ans. Inductor

15. Which of the following is not in diode

- A. Anode
- B. Cathode
- C. Depletion layer
- D. Gate

Ans. Gate is not present in diodes.

16. In two wattmeter method when one wattmeter gives positive value and another gives negative value then what is the power factor?

Sol. power factors will be less than 0.5.

17. If one wattmeter shows 1000W and the other shows 500W then total power would be ?

Sol. $1000 + 500 = 1500$ Watt

18. What is the Size of the GI earthing electrode ?

Sol. The GI Earthing Clamp/ Strip (C- Clamp Type) is to be of 50mm width, 6mm thickness & flange length of 65 mm in each side.

19. Which law states that the line integral of magnetic flux intensity equals to the current enclosed?

Sol. Faraday's Law of Induction

20. If synchronous machine operates at lagging p.f then armature reaction would be
magnetising
demagnetising
cross magnetising

Ans. demagnetising

GENERAL AWARENESS

1. Which scientist invented the Microwave ?

Sol. Percy Spencer & Hall

2. X rays is discovered by ?

Sol. Wilhelm Roentgen

3. Who is the 1st speaker of Loksabha ?

Sol. Ganesh Vasudev Mavalankar
(27 November 1888 – 27 February 1956)

4. Who is the Time person in the year of 2020 ?

Sol. Kamala Harris

5. In which year the Chauri chaura act came ?

Sol. The Chauri Chaura incident took place on 4 February 1922 in Chauri Chaura

6. G20 Summit business and peace award

- A. mukesh ambani
- B. ratan tata
- C. narayana murthi
- D. asim premji

Ans. B

7. Shaheen-Xi military exercise happened between ?

- A. Pakistan and China
- B. China and India
- C. India and Bangladesh

Ans. A

8. Haldibari-chilahati rail link reopened after 55 years, This rail link is in which country ?

- A. Bangladesh
- B. Myanmar
- C. Nepal
- D. Bhutan

Ans. A

9. World's longest tunnel has been inaugurated in which of the following state?

- A. Himachal pradesh
- B. Arunachal pradesh
- C. Assam
- D. None

Ans. A

Sol. The Atal Tunnel, at 9.02 km is the longest highway tunnel in the world, connects Manali to Lahaul-Spiti Valley and will ensure movement throughout the year

10. Which instrument is used to measure the wind ?

Sol. The anemometer counts the number of rotations, which is used to calculate wind speed

11. If sound : echo :: light:

Sol. Reflection

12. Which of the following national park is in Goa?

Sol. The Bhagwan Mahaveer Sanctuary is the biggest wildlife sanctuary in Goa and is located in Sanguem taluka

13. In India, volcanoes are active in which region ?

Sol. The Barren Island volcano, India's only active volcano, in the Andaman and Nicobar Islands

14. Citrus fruits like lemon, orange juice etc. contain which of the following vitamin?

- A. Vitamin K
- B. Vitamin C
- C. Vitamin B
- D. Vitamin A

Ans. B

15. Largest FDI came from which country

- A. UK
- B. Singapore
- C. mauritius

Ans. B

16. ____ is the investment which comes in one country business by any other country

Ans. FDI

17. Amino acids in maximum are present in which of the following ?

- A. Carbohydrates
- B. Fats
- C. Proteins

Sol. Proteins

18. If iran:rial :: japan:

Ans. yen

19. Who was the first Lok Sabha speaker ?

Sol. Ganesh Vasudev Mavalankar (27 November 1888 – 27 February 1956) popularly known as Dadasaheb was an independence activist, the President (from 1946 to 1947) of the Central Legislative Assembly, then Speaker of the Constituent Assembly of India, and later the first Speaker of the Lok Sabha, the lower house of the india

20. Condemn: Approve: : Obstruct

Hinder

aid

....

Ans. Aid

* * * *