

N 210

Seat No.

--	--	--	--	--	--	--	--

2021 IX 30 1030 -N 210 – SCIENCE AND TECHNOLOGY (72) - PART II (E)

(REVISED COURSE)

Time: 2 Hours

(Pages 11)

Max. Marks: 40

Note: i. *All* questions are compulsory.

ii. Use of calculators is not allowed.

iii. Figures to the right indicate full marks.

iv. Start writing each main question on new page.

v. For each MCQ (i.e. Q. No. 1(A)) evaluation would be done for first attempt only.

v. For each MCQ correct answer must be written along with its alphabet.

Eg.: (i) (A)....., (ii) (B), (iii) (C)

vi. Draw scientifically correct labelled diagrams wherever necessary.

P.T.O

2/N 210

1. (A) Write the correct alternative:

5

(i) All chromosomes are arranged parallel to equatorial plane of cell in
..... phase of mitosis.

(A) Prophase

(B) Metaphase

(C) Anaphase

(D) Telophase

(ii) In thermal power plants, the energy in the coal is
converted into electrical energy through several steps.

(A) solar

(B) nuclear

(C) thermal

(D) chemical

3/N 210

(iii) Genetically ModifiedCrops has the ability to destroy
bollworms.

(A) BT Brinjal

(B) Golden Rice

(C) BT Cotton

(D) corn

(iv) disease is related with the synthesis of insulin.

(A) Cancer

(B) Diabetes

(C) Viral infections

(D) Dwarfism

4/N 210

(v) helps to improve concentration in studies

(A) Meditation

(B) Music

(C) Dance

(D) Laughing

(B) Answer the following :

5

(i) Complete the correlation :

Wisdom teeth : vestigial organ :: Lungfish :

(ii) Separate the odd component.

progesterone, estrogen, melanin, testosterone

5/N 210

(iii) State True or False:

The turbines at the thermal power plant operate on solar energy.

(iv) My outer structure is made of exoskeleton; I have three pair of legs to walk. Tell me to which phylum I belong?

(v) Write any two examples of man-made disasters.

2. (A) Give scientific reasons (any two) :

4

(i) Cell division is one of the very important properties of cells and living organisms.

(ii) Girls face stress due to gender inequality.

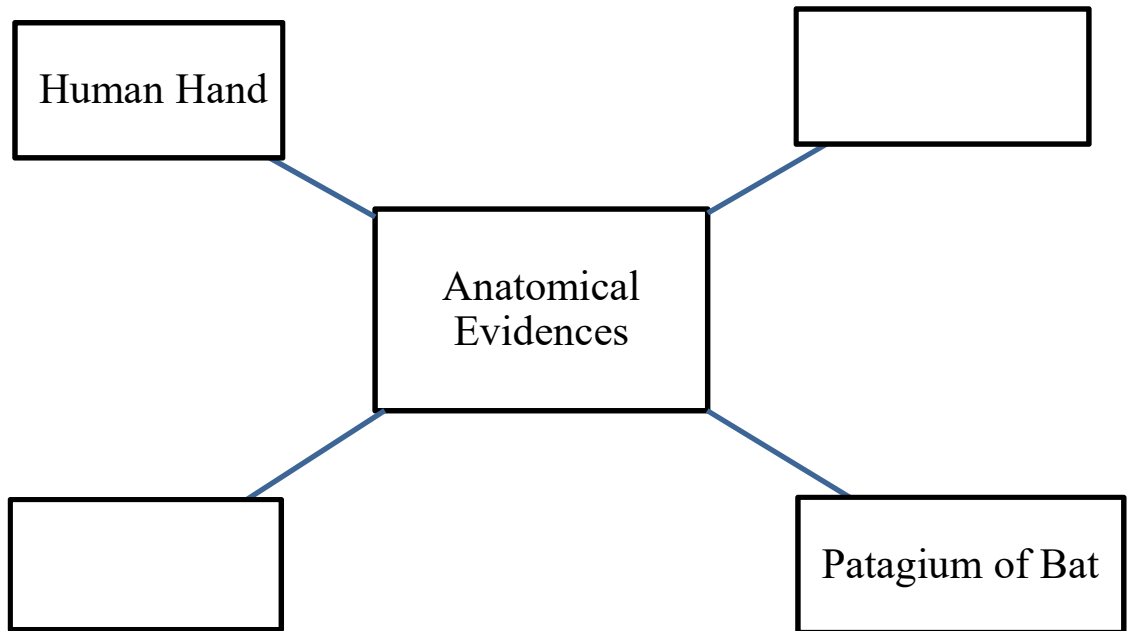
(iii) Our body irritates if it comes in contact with jellyfish.

6/N 210

(B) Answer the following (any three) :

6

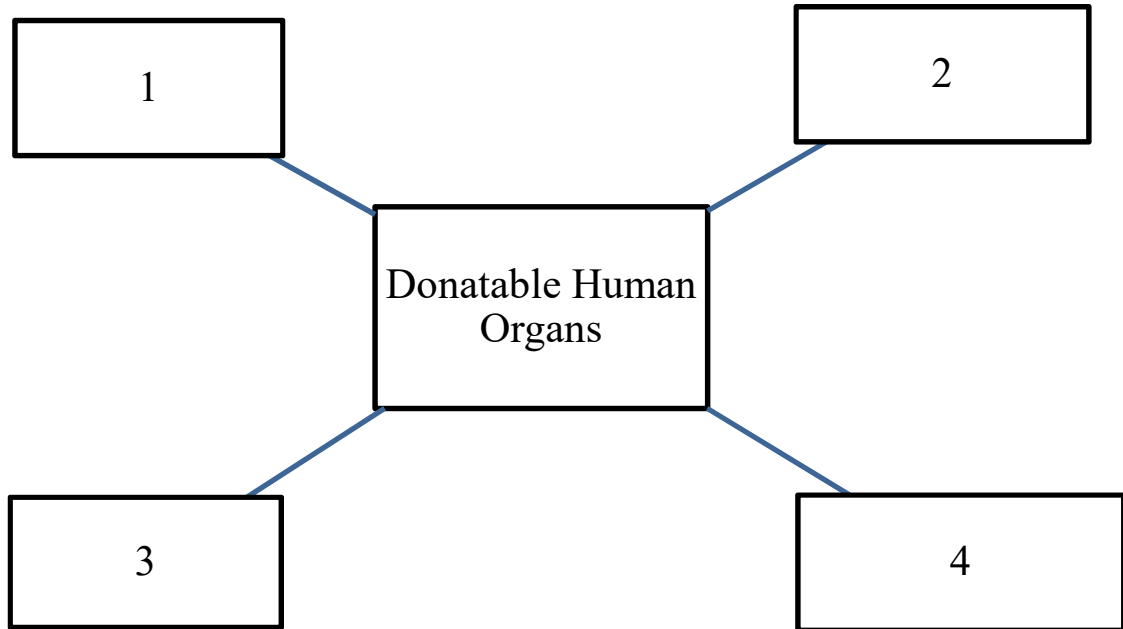
(i) Complete the following diagram



ii. Describe any two animals of endangered species.

7/N 210

iii. Complete the picture



iv. Explain the term Bioinsecticides.

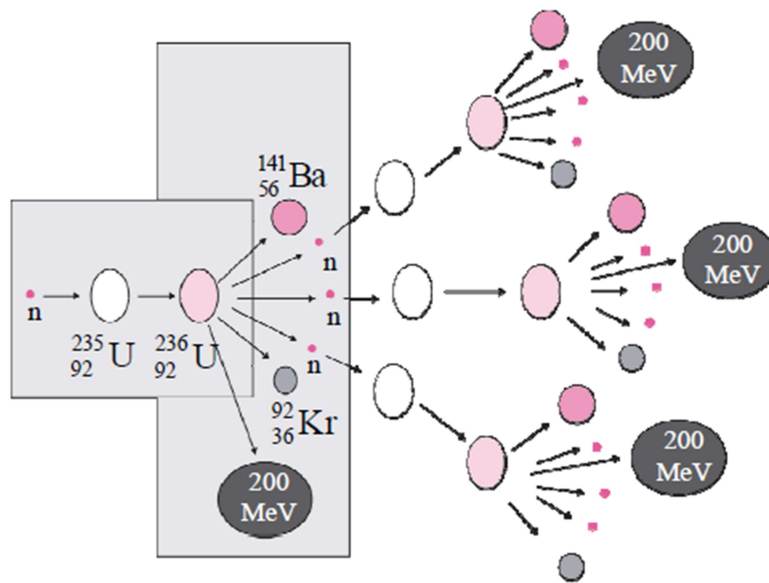
v. What do you understand by mock drill? Give examples.

8/N 210

3. Answer the following (any five) :

15

(i) Answer the following questions with respect to the below figure.



- Identify the reaction shown in the figure.
- Where is this reaction used?
- Which atom is used in this reaction?

9/N 210

(ii) What will you do?

- (a) Your younger brother is addicted to smoking.
- (b) Your maid's husband beats her after getting addicted with alcohol.
- (c) Your younger brother is playing game on mobile phone while eating.

(ii) What do you mean by fossils? Write the importance of fossils.

Write the name of method to find the age of fossils.

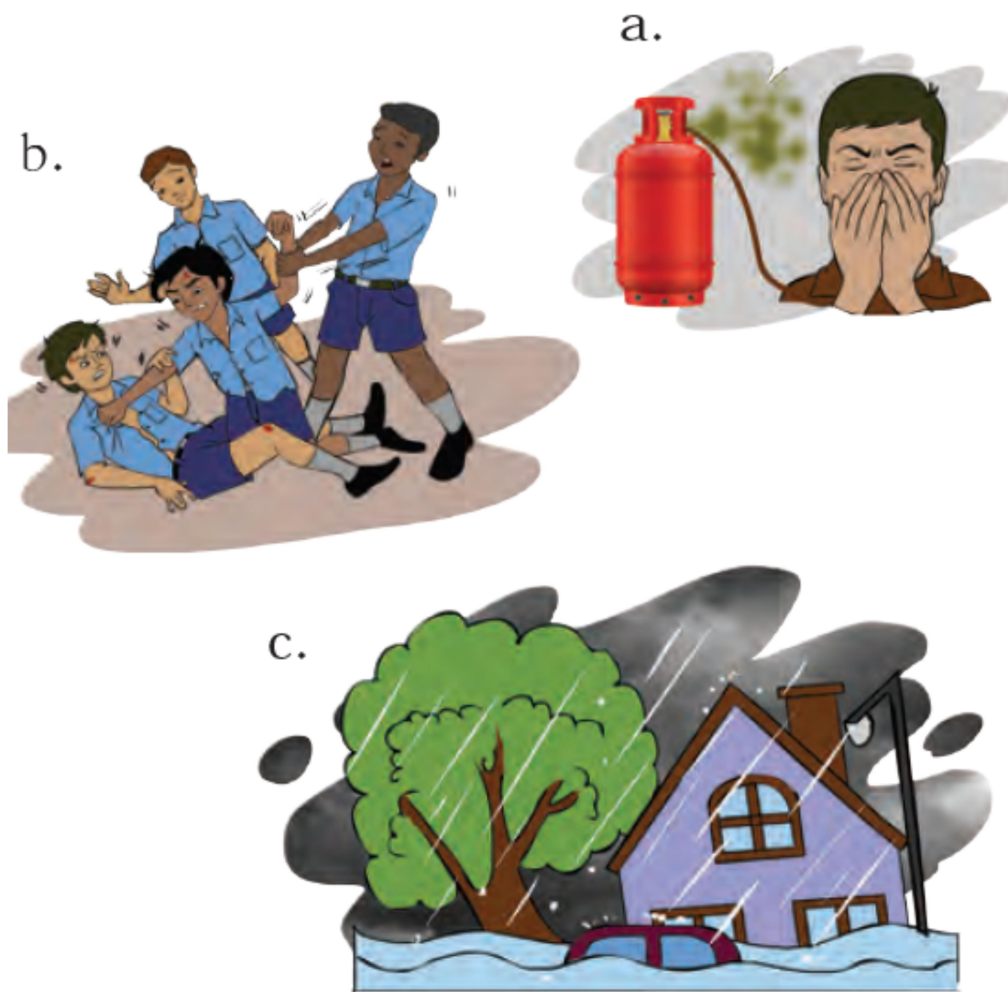
(iv) Name the largest phylum of kingdom Animalia. Write any two characteristics of it.

(v) Why is it necessary to ban the use of plastic bags?

(vi) Which precautions will you take during spraying of pesticides?

10/N 210

(vii) Following are the pictures of some disasters. How will be your pre- and post-disaster management in case you face any of those disasters?



(viii) Differentiate between mitosis and meiosis. (Any 3 points)

11/N 210

4. Answer any one of the following:

5

- i. With the help of a neat labelled diagram write any three parts of inside of flower.
- ii. What are the three endangered heritage places in India? Mention two measures you will take to protect this with reasons.